

Setting bolts

with limit switch

SPECIFICATION

Types

- Type **S**: Normally open
- Type **O**: Normally closed

Bolt Steel

- Tensile strength class 5.8
- Hexagon head hardened to HRC 45
- nickel plated

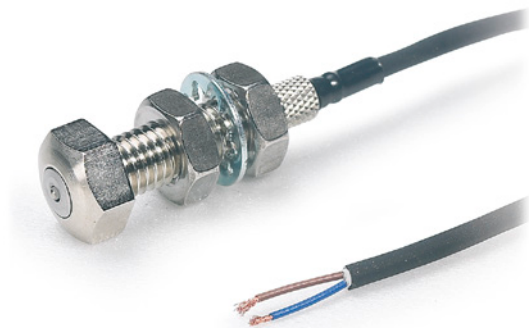
Hexagon nuts Steel
nickel plated

End limit switch

- Voltage: 5 ... 24 V DC
- Switching load recom.: 5-10 mA
- Switching load: 20 mA DC max.
- Life expectancy: 3 mio. operations
- Temperature range: -10 °C ... +80 °C
- Load: ~1 N

Supply cable PVC:

- Ø 3 ; 2-phase, ~ 2 meters long
- max. tensile load 30 N
- grey for Type S (normally open)
- black for Type O (normally closed)



INFORMATION

Setting bolts GN 251.2 are supplied with a hardened round head which serves as a firm end stop.

In general these bolts are installed with a locknut.

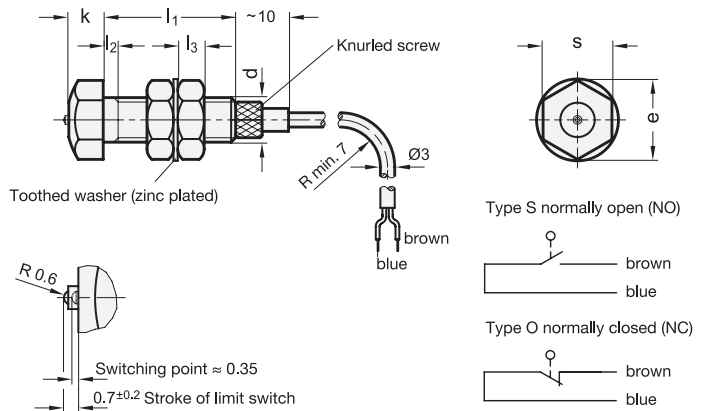
When the workpiece contacts the bolt head an electrical signal is transmitted by means of the limit switch.

By means of the knurled nut, the limit switch can be installed resp. taken out without having the need to loosen the setting bolt.

Operating instructions showing more important technical information are included with every setting bolt.

TECHNICAL INFORMATION

- Strength values of screws (see page A20)
- IP Protection classes (see page A32)



GN 251.2

Description	d	l1	e	k	l2 max.	l3	s	⚖
GN 251.2-M6-21-O	M 6	21	11.5	4	3	3.6	10	50
GN 251.2-M8-25-O	M 8	25	15	7	4	5	13	71
GN 251.2-M10-25-O	M 10	25	19.6	7	4	6	17	80
GN 251.2-M6-21-S	M 6	21	11.5	4	3	3.6	10	44
GN 251.2-M8-25-S	M 8	25	15	7	4	5	13	60
GN 251.2-M10-25-S	M 10	25	19.6	7	4	6	17	80

